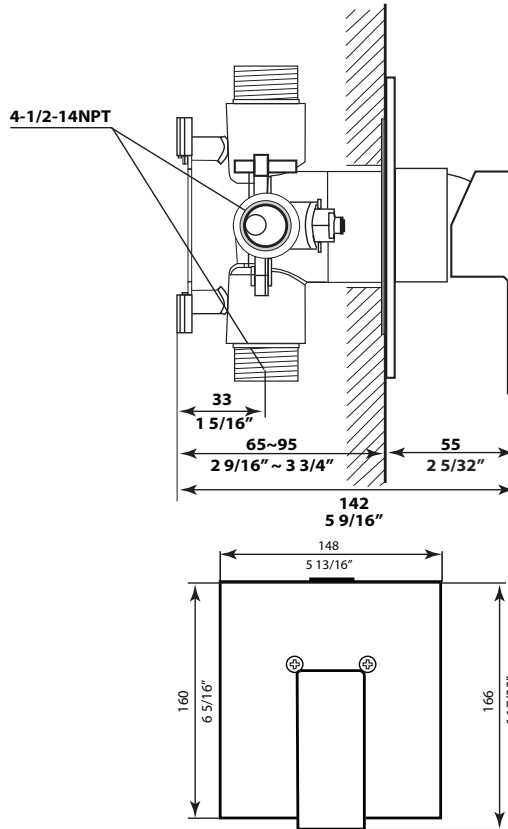


32-201-CR



Features:

- ▶ Single lever multi function
- ▶ Brass valve body and cover plate
- ▶ Ceramic Disk Cartridge
- ▶ Factory pressure tested
- ▶ cUPC Certified

Available Finishes:

- ▶ Polished Chrome

